

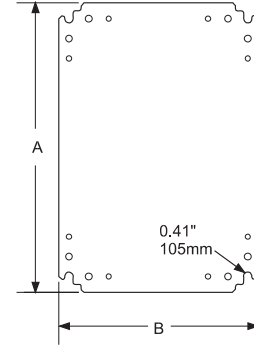
# Polyester Modular Enclosures - NEMA 4X

## PW Series - Accessories



### PW Series Inner Panel

- Available in steel or unfinished aluminum.
- 12 gauge steel panels are finished in white baked powder coating.
- Aluminum panels are 0.125" (3.2mm) unfinished.
- Hardware to mount inner panels is included with PW enclosures.



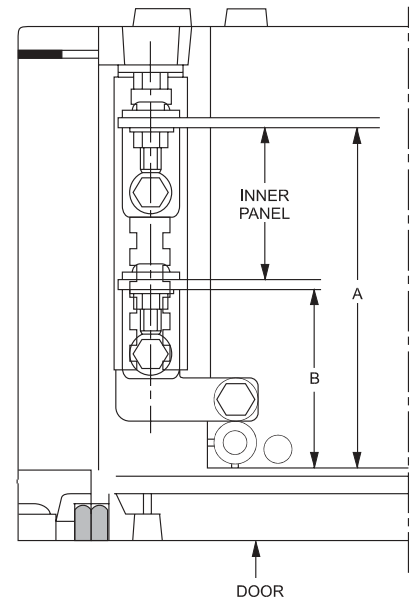
Steel Part No.	Aluminum Part No.	Fits Enclosure		A	B
PWP4333	PWPA4333	PW433320	inch	14.37	9.84
			mm	365	250
PWP5343	PWPA5343	PW534320	inch	18.31	13.78
			mm	465	350
PWP6544	PWPA6544	PW654425	inch	22.24	13.78
			mm	565	350
PWP7554	PWPA7554	PW755430	inch	26.18	17.72
			mm	665	450
PWP8564	PWPA8564	PW856430	inch	30.12	21.65
			mm	765	550

Corrosion Resistant Enclosures  
Wallmount Enclosures



### PW Series Adjustable Depth Supports

- Supports designed to fit 200 mm (7.88"), 250 mm (9.80"), 300 mm (11.80") and 350 mm (13.8") enclosures.
- Self positioning slots allowing for adjustment every 12.5 mm (0.50").
- Made of double chromed zinc coated steel.
- Attaches easily to the enclosure.

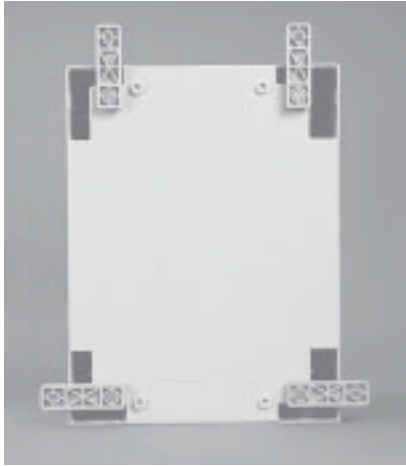


Top View

Part No.	Fits Enclosures		Full Back A	Full Front B
PWDC200	PW534320	inch	6.4	3.9
	PW433320	mm	162	99
PWDC250	PW654425	inch	8.1	4.1
		mm	205	105
PWDC300	PW755430	inch	10.0	8.1
	PW856430	mm	255	205

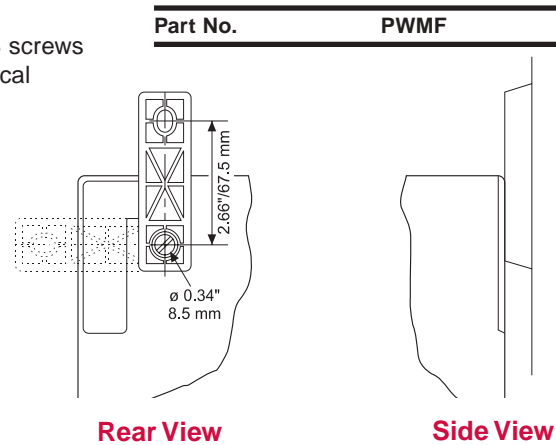
## Polyester Modular Enclosures - NEMA 4X

### PW Series - Accessories



#### PW Series Mounting Feet

- Constructed of polyamide and fiberglass.
- Kit includes inserts and M8 screws to permit horizontal or vertical installation.
- Easily installed in the field.



#### PW Series Rear Blanking Cover

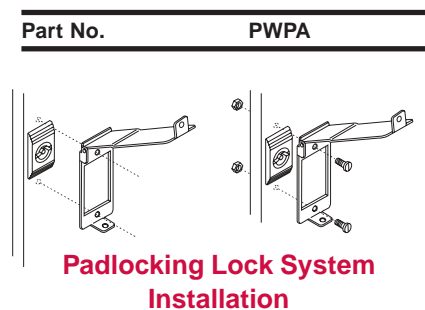
- Insulating rubber covers simply "snap" in covering the rear self-ventilating openings when additional protection is required.
- Easily installed in the field - no hardware required.
- Quantity of 4.

Part No.	Fits Enclosures
<b>PWRBG20</b>	PW433320
	PW534320
<b>PWRBG2530</b>	PW654425
	PW755430
	PW856430



#### PW Series Padlock Adaptor

- Permits installation of padlock over the standard "Double Bar" quarter turn.
- 1.5 mm thick stainless steel.
- Easy installed in the field.


**Corrosion Resistant Enclosures**  
Wallmount Enclosures

# Polyester Modular Enclosures - NEMA 4X

## PW Series - Accessories



### Porthole Viewing Windows

- Made of high UV resistance polycarbonate.
- Installation template included.
- Pre-installed gasket.



Part No.		A	B	C
<b>PVW1111CC</b>	inch	3.66	3.66	0.32
	mm	93	93	8
<b>PVW1814CC</b>	inch	5.04	5.04	0.22
	mm	128	128	5.5



### Hinged Viewing Windows

- Made of high UV resistance polycarbonate.
- Installation template included.
- Pre-installed gasket.
- Finger latches for easy opening with securing provision.



Part No.		A	B	C
<b>PVW9577CC</b>	inch	3.74	3.03	0.60
	mm	95	77	15
<b>PVW1677CC</b>	inch	6.42	3.03	0.60
	mm	163	77	15
<b>PVW2077CC</b>	inch	7.87	3.03	0.60
	mm	200	77	15



### Large Viewing Windows

- Made of high UV resistance polycarbonate.
- Installation template included.
- Pre-installed gasket.
- Surface mounting on a wide variety of enclosures from steel to non-metallic.
- Quarter turn thumb latch.



Part No.		A	B
<b>PVW2423CC</b>	inch	9.76	9.25
	mm	248	235
<b>PVW2929CC</b>	inch	11.42	11.42
	mm	290	290



### Air Vents

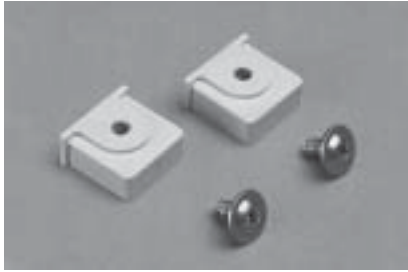
- Designed to equalize external and internal temperatures and prevent condensation within the enclosure.
- Units are mounted within the self ventilating openings in PW and PM Series.



Part No.	PVENT
----------	-------

## Polyester Modular Enclosures - NEMA 4X

### PW Series - Accessories



#### PW Series Rail Fixing Insert

- Insert nut specially designed to fit in the back of the enclosure for quick fixing of 35 mm (1.3") rails through self-tapping screws (included).
- Made of insulating material.
- Fits all sizes of PW enclosures.
- Packaged in quantities of two.

Part No.	PWIN
----------	------



#### Metal Double Bar Enclosure Key

- PW Enclosures use a standard double bar key. One molded key is shipped with the enclosure, however in the instance you lose the key, or would like backup, they are available for order.
- Metal key fits all sizes of PW Enclosures.
- Packaged individually.

Part No.	PMKEY
----------	-------



#### Molded Double Bar Enclosure Key

- PW Enclosures use a standard double bar key. One is shipped with the enclosure, however in the instance you lose the key, or would like backup, they are available for order.
- Molded key fits all sizes of PW Enclosures.
- Packaged individually.

Part No.	PWKEY
----------	-------